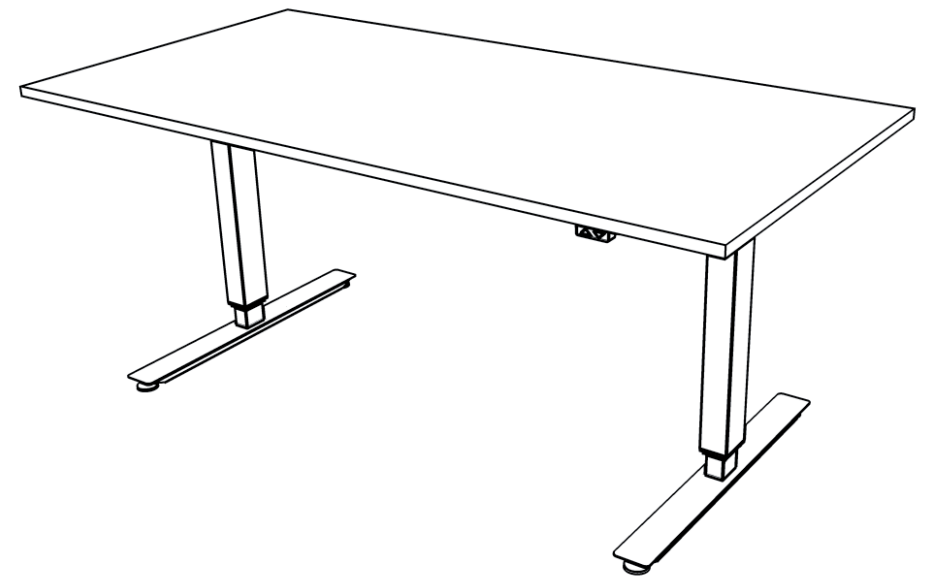


The product contains one or more of following materials:  
Metal, plastic, wood, fabric, foam.



## EFG Active - Frame assembly

Step 1 - Assembly beams, legs, hooks, spacer and decal.

Recommended beam length for following table top length:


**1600** = Beam length 1248 mm (Overhang on table according to page 7)


**1800** = Beam length 1548 mm (Overhang on table according to page 7)

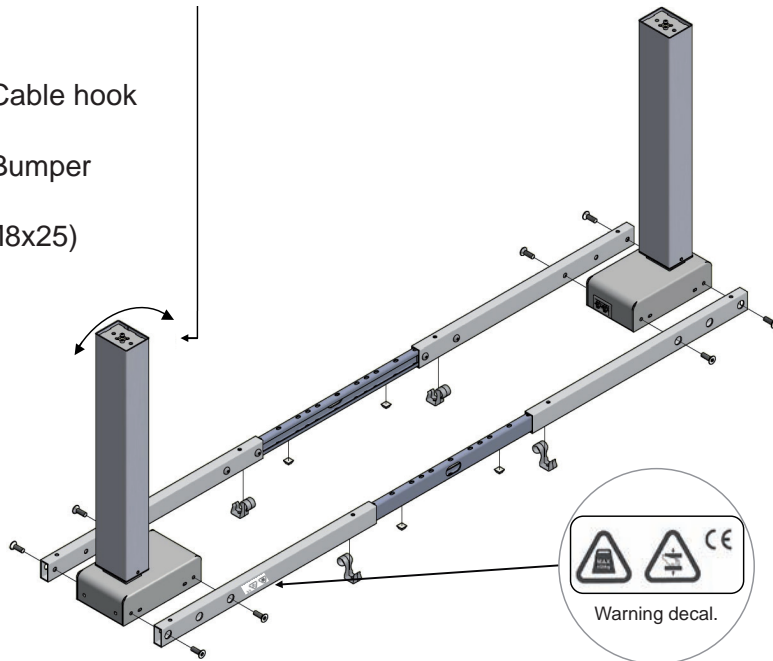
**For sliding table top** = Do not lock beams and let the inserts in the table top guide you, see pages 9 or 11 depending on which sliding bracket being assembled.

Wiggle the leg when mounting the beams. It makes it easier to mount the screws.

 x4 - Cable hook

 x4 - Bumper


 x8 (M8x25)

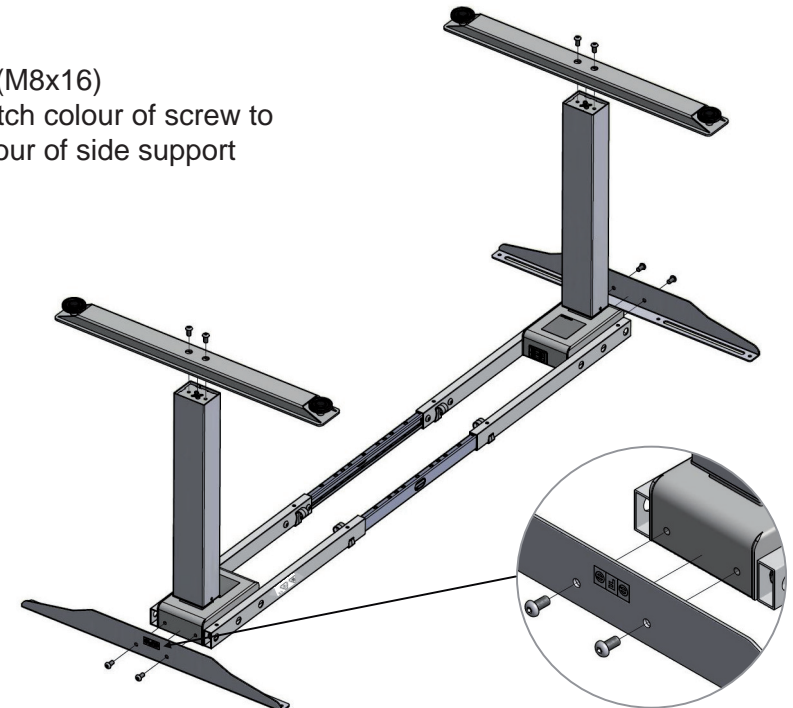


Warning decal positioned towards the end user.

## EFG Active - Frame assembly

Step 2 - Assembly foot and sidebars.

 x8 (M8x16)  
Match colour of screw to colour of side support




Mount the sidebars with the EFG logo outwards.

## EFG Active - Frame assembly

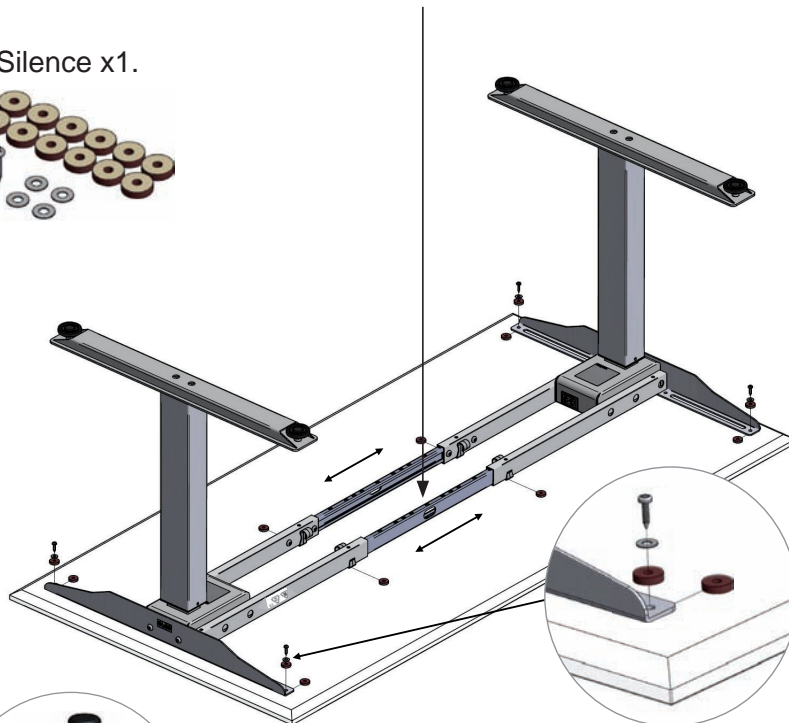
### Step 3 - Assembly frame to table top.

Loosen screws slightly in beams and adjust frame width symmetric to wished position (**Do not loosen the screws entirely**)

 Screw - Sidebars  
4,5x20 (x6) Use 4 pcs with washer and bumper in corners.

Center the inner beams with the oval holes, as illustrated.

KIT Silence x1.



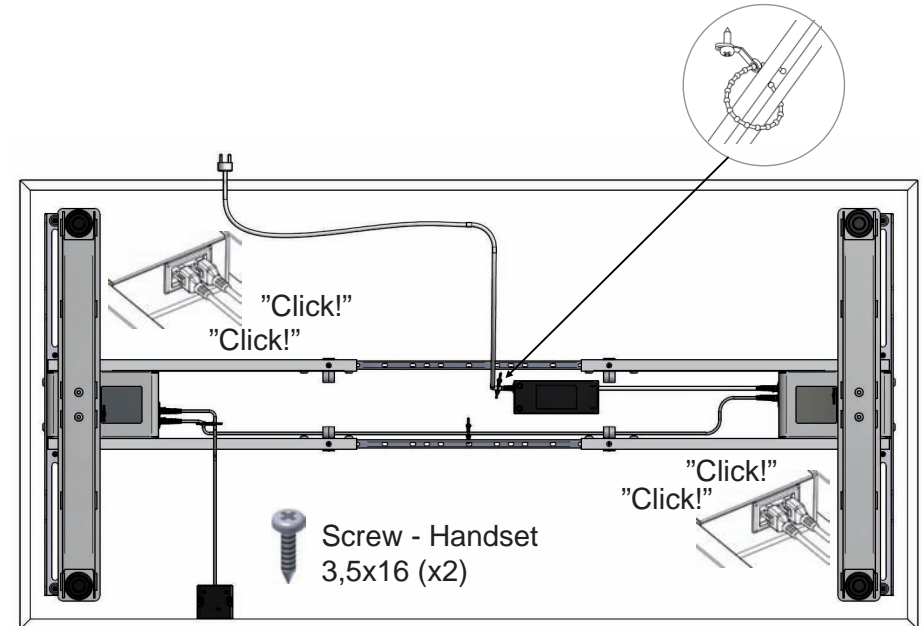
For sliding top the cable hooks needs to be upgraded with spacers instead of bumpers. See pages 8-11.

## EFG Active - Frame assembly

### Step 4 - Assembly cables and handset.

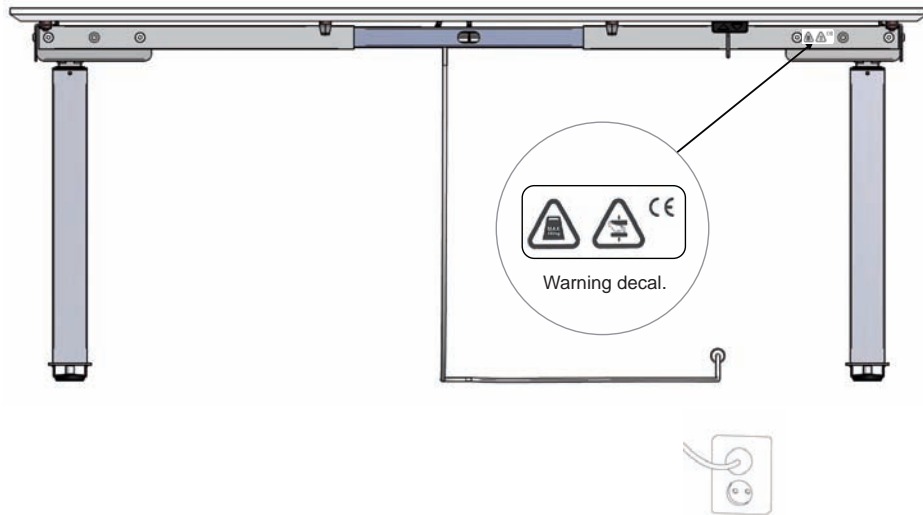
Structure excess cabling under the table top, use the cable clips to strap the cables. Use cable clips and hooks to place and fasten Power Supply. If cable tray is used, place Power Supply there.

Cable clips + screws (x3)



## EFG Active - Frame assembly

Step 5 - Observe and finish.



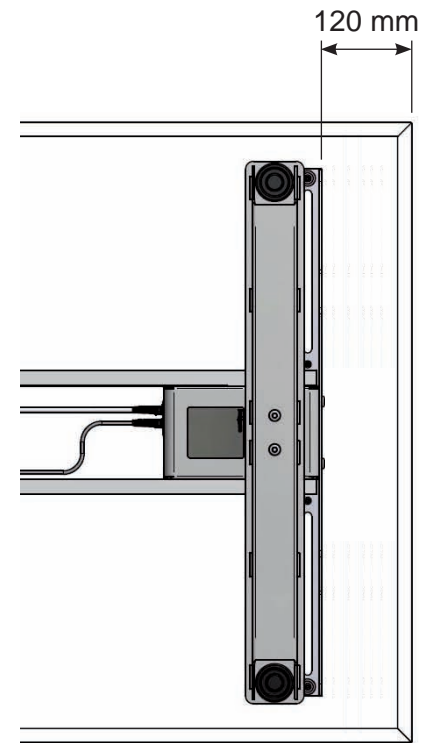
### **OBSERVE:**

Make sure every screw is tightened before use.  
Turn the table around to standing position and plug the cable.

Ready to use!

## EFG Active - Accessories (Gables)

Below you can see recommended distance to table top edge on gables for enabling other accessories to be added.



### **SUITED ACCESSORIES:**

- TAB Screens (Ex: A29F01)
- ADD Stack (Ex: ADDSTACKK)
- Butler (Ex: ADDBUTLK)
- ScreenIT Standard (Ex: A30B81)

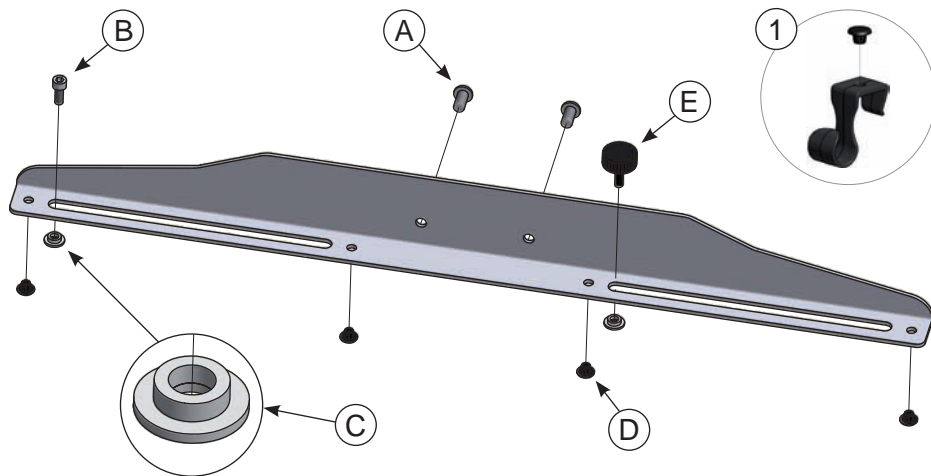
## EFG Active - Sliding top (without screen)

Exploded overview of the different parts used for a sidebar with sliding top without screen. The amount of parts are for one sidebar.

Mount the spacers in the Ø7-holes on the surface towards the table top.

Place the washers from the same surface as the spacers and let the smaller outer diameter be placed inside the slots.

**Cable hooks need to be upgraded with spacers (D). Illustration 1.**



- A=  2x same screw as in Step 2 (Page 3).
- B=  Screw M6x15 (x1)
- C=  Washer (x2)
- D=  Spacers (x4)
- E=  Knob (x1)

## EFG Active - Sliding top (without screen)

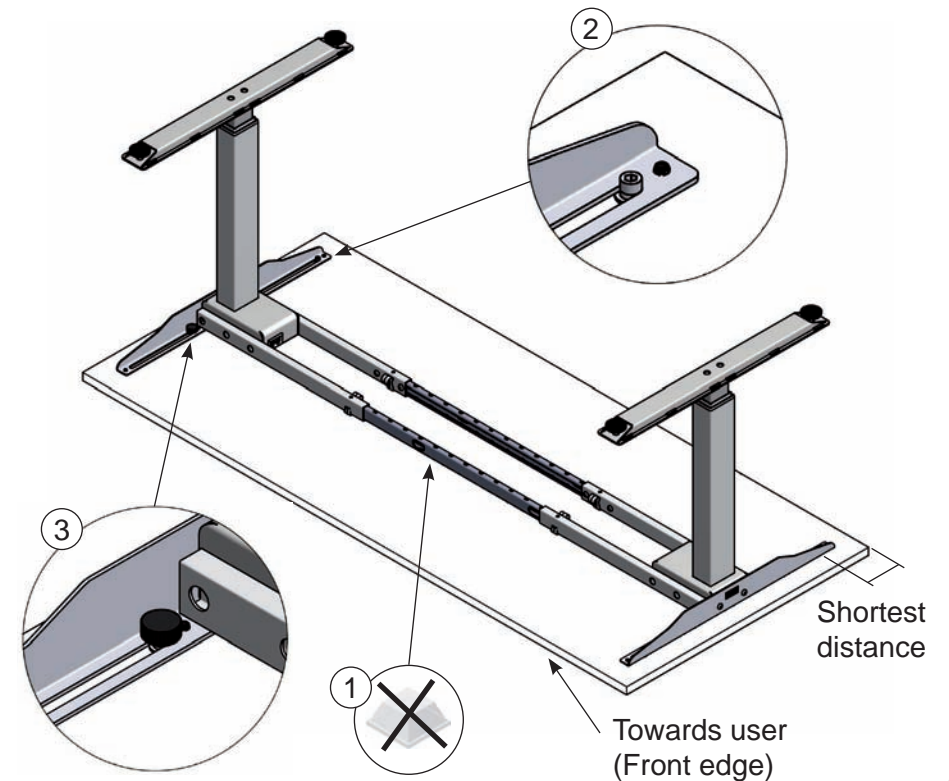
Start with doing steps 1 and 2 from Frame assembly (Page 2 and 3). **Except bumpers, do NOT use these! (1)**

Step 3 - Assembly Frame to table top.

Loosen screws in beams and adjust frame width symmetric. Match the threaded inserts in table top with slots on the sidebars of the frame.

Use washer and screw (B) for the inserts positioned at the back of the table top with the shortest distance to the edge (2). For the remaining two inserts, use washer and knob (3).

Tighten the screws just enough so you will get a steady slide on table top. Use knobs for releasing the table top when to slide.



## EFG Active - Sliding top (with screen)

Exploded overview of the different parts used for a sidebar with sliding top with screen. The amount of parts are for one sidebar.

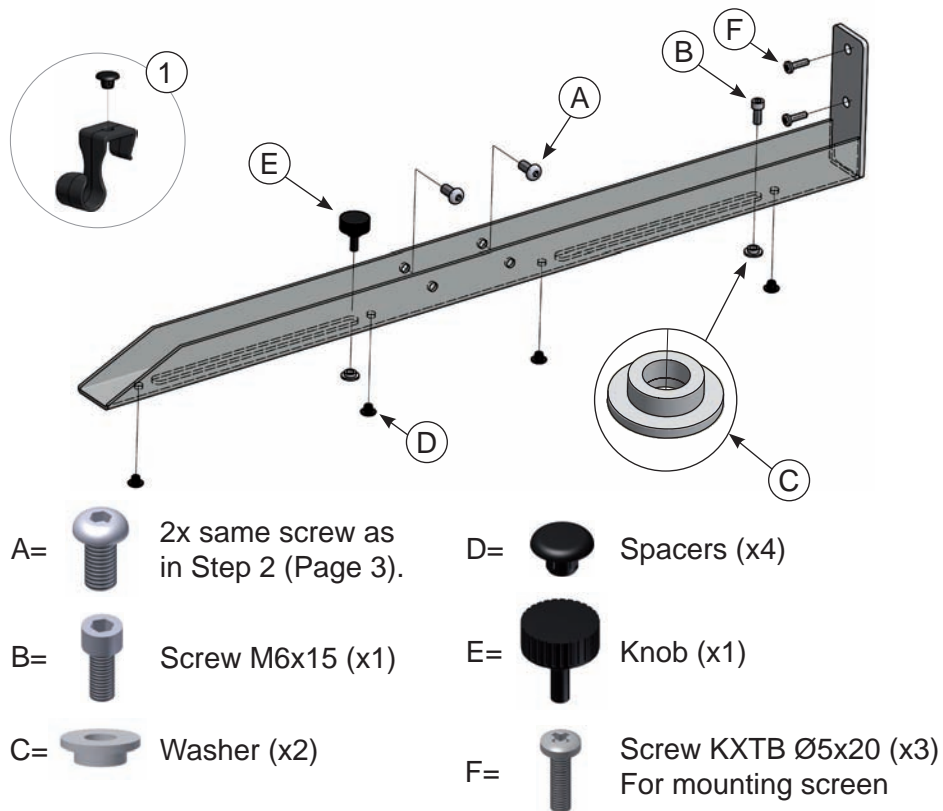
Mount the spacers in the Ø7-holes on the surface towards the table top.

Place the washers from the same surface as the spacers and let the smaller outer diameter be placed inside the slots.

**Cable hooks need to be upgraded with spacers (D). Illustration 1.**

**Use all three screws (F) for best result. Third screw not illustrated, detailed illustration on page 11 with all screws (2).**

**Don't tighten the screws (F) to hard. This will damage the chipboard and the screen will not be fixed proper to the desk.**



## EFG Active - Sliding top (with screen)

Start with doing steps 1 and 2 from Frame assembly (Page 2 and 3). **Except bumpers, do NOT use these! (1)**

Step 3 - Assembly Frame to table top.

Loosen screws in beams and adjust frame width symmetric. Match the threaded inserts in table top with slots on the sidebars of the frame.

Use washer and screw (B) for the inserts positioned at the back of the table top with the shortest distance to the edge (2). For the remaining two inserts, use washer and knob (3).

Tighten the screws just enough so you will get a steady slide on table top. Use knobs for releasing the table top when to slide.

