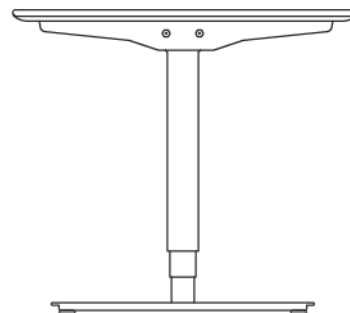


EFG Active*

Active is a sit and stand desk that's both quiet and intelligent. With motor-operated height adjustment, you can choose whether to work standing or sitting at the touch of a button. The table is also equipped for digital booking systems and apps.



ENVIRONMENTAL CERTIFICATES

Fulfill the requirements of Svanen – The Nordic Ecolabel.

Wood from FSC® certified forests.

Wood certified with Blue Angel**.



MATERIAL CONTENT

Material	Weight kg	Weight %
Steel	30,2 kg	62,1 %
Wood	16,0 kg	32,9 %
Electronics	1,2 kg	2,4 %
Plastic	0,7 kg	1,5 %
Aluminum	0,5 kg	1,1 %
Copper	0,06 kg	0,1 %
Total	48,7 kg	100 %

RECYCLED MATERIALS

49,0 % recycled content, of which:

25,7 % post-consumer recycled content

23,3 % pre-consumer recycled content

RECYCLABLE MATERIALS

67,1 % material recycling

32,9 % energy recovery

0 % landfill

Materials shall be recycled in accordance with the prescriptions in force locally.

RENEWABLE MATERIALS

32,9 % renewable materials

CHEMICALS

Wood: Formaldehyde emission E0,5.

Waterbased lacquers and additives.

Metal: Powder coating lacquers.

Electronics in compliance with RoHS Directive.

Contains no chemicals from Reach candidate list.

CIRCULARITY

Designed with remanufacturing in mind.
Spare parts available.

FULFILLED TECHNICAL STANDARDS

EN 527-1 Type A; Dimensions.

EN 527-2; Mechanical safety requirements.

EN 1730; Test methods of test for the determination of strength, durability and stability.

ISO 21016; Durability of height adjustment.

EN 12720; Assessment of surface resistance to cold liquids.

SS 839117; Assessment of resistance to spotting from fat on scratched surface.

EN 12722; Assessment of surfaces resistance to dry heat.

SIS 839117; Assessment of surfaces resistance to scratches.

COMPANY CERTIFICATIONS

ISO 9001

ISO 14001

FSC® Chain of Custody

Certificate code NC-COC-062914

License number FSC-C009111

CARE INSTRUCTIONS

Please visit our webpage, www.efg.info

** Disclaimer: All calculations are based on EFG Active frame
ACTA20 with table top 1600x800 mm straight edge (S).*

Information may vary based on model and options selected.

*** Models in MFC.*